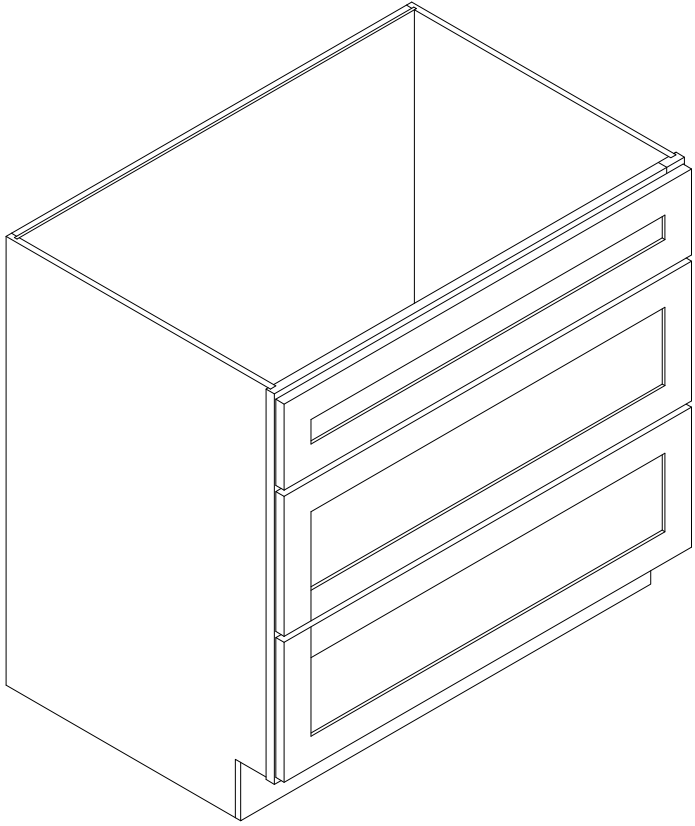


# ASSEMBLY INSTRUCTIONS

## SBCD36

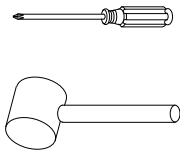


### Parts list

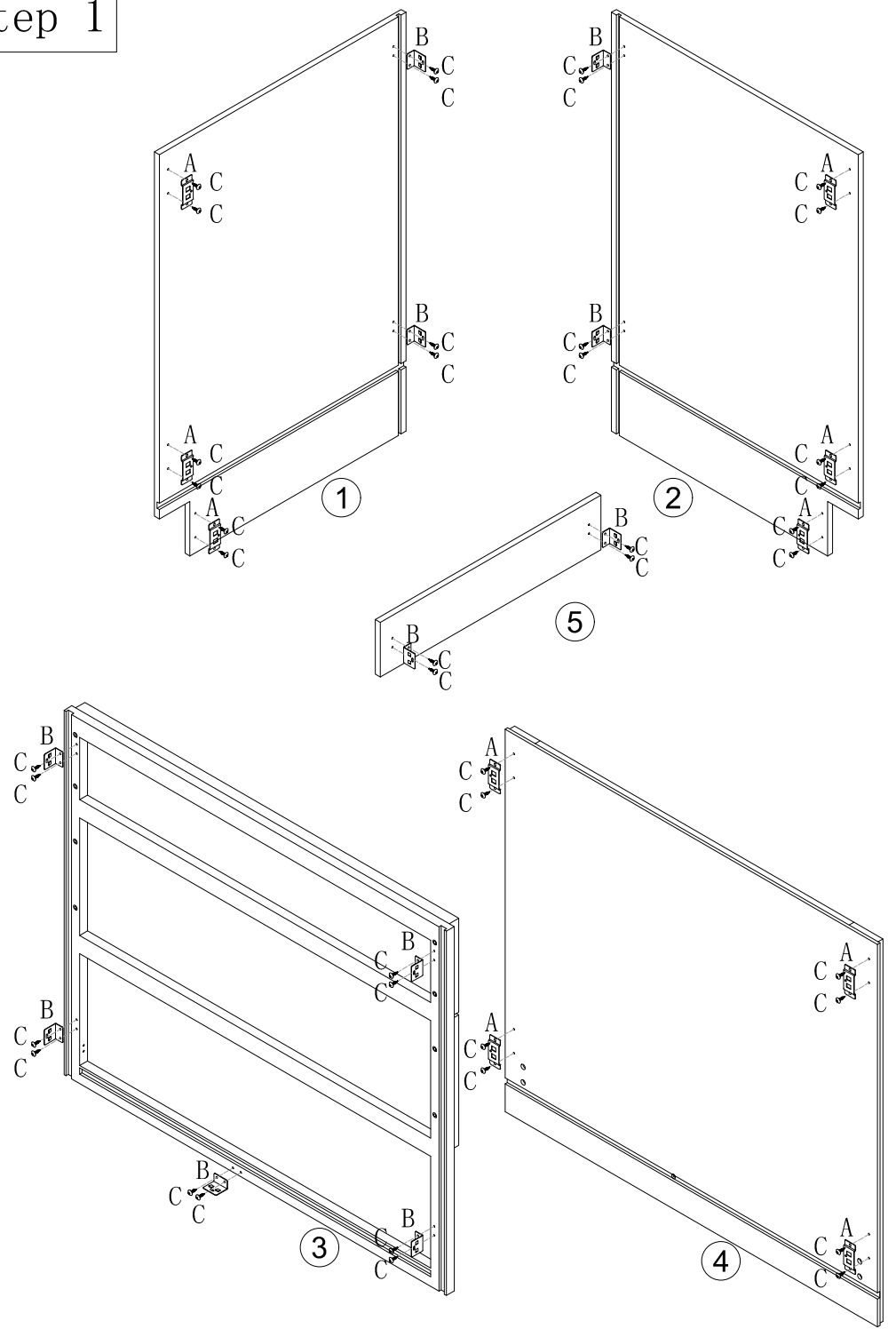
NO.	Parts	QTY
A		11
B		11
C		55
D		16
E		4

NO.	Parts	QTY
F		1
G		1

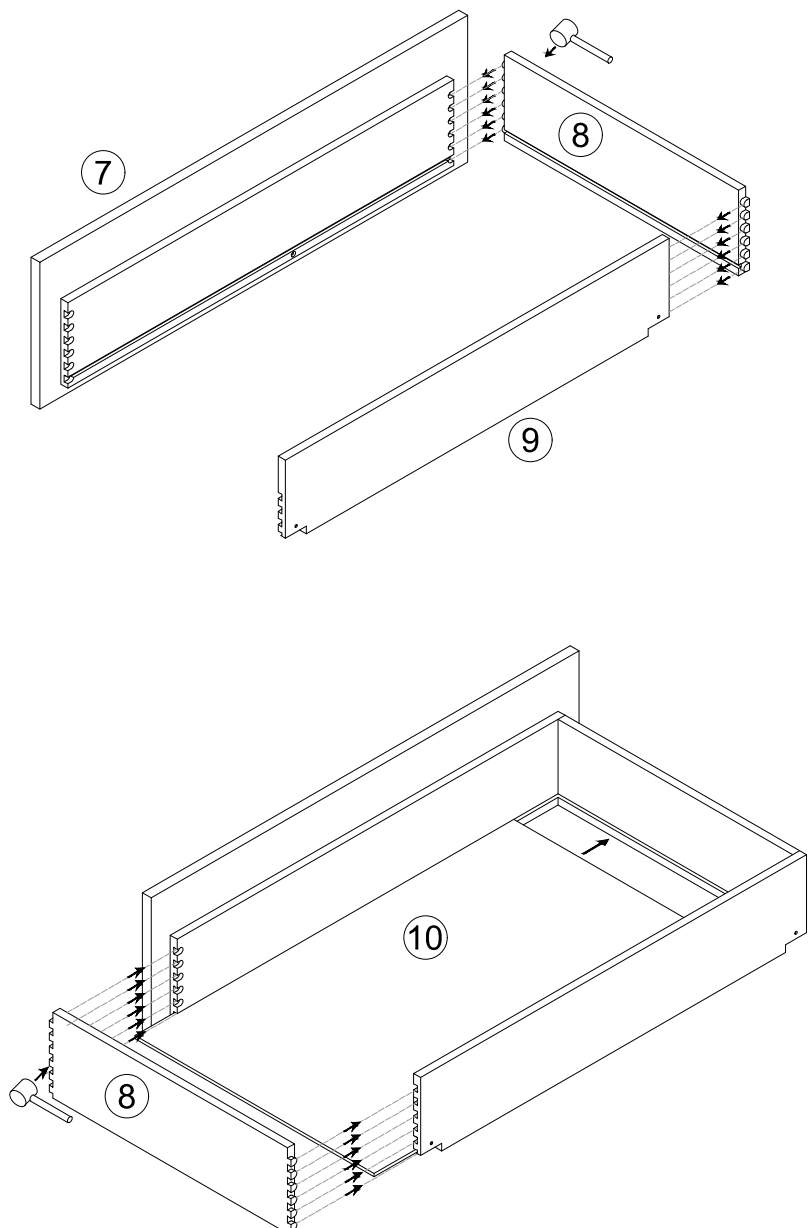
Tools  
(required but not provided)



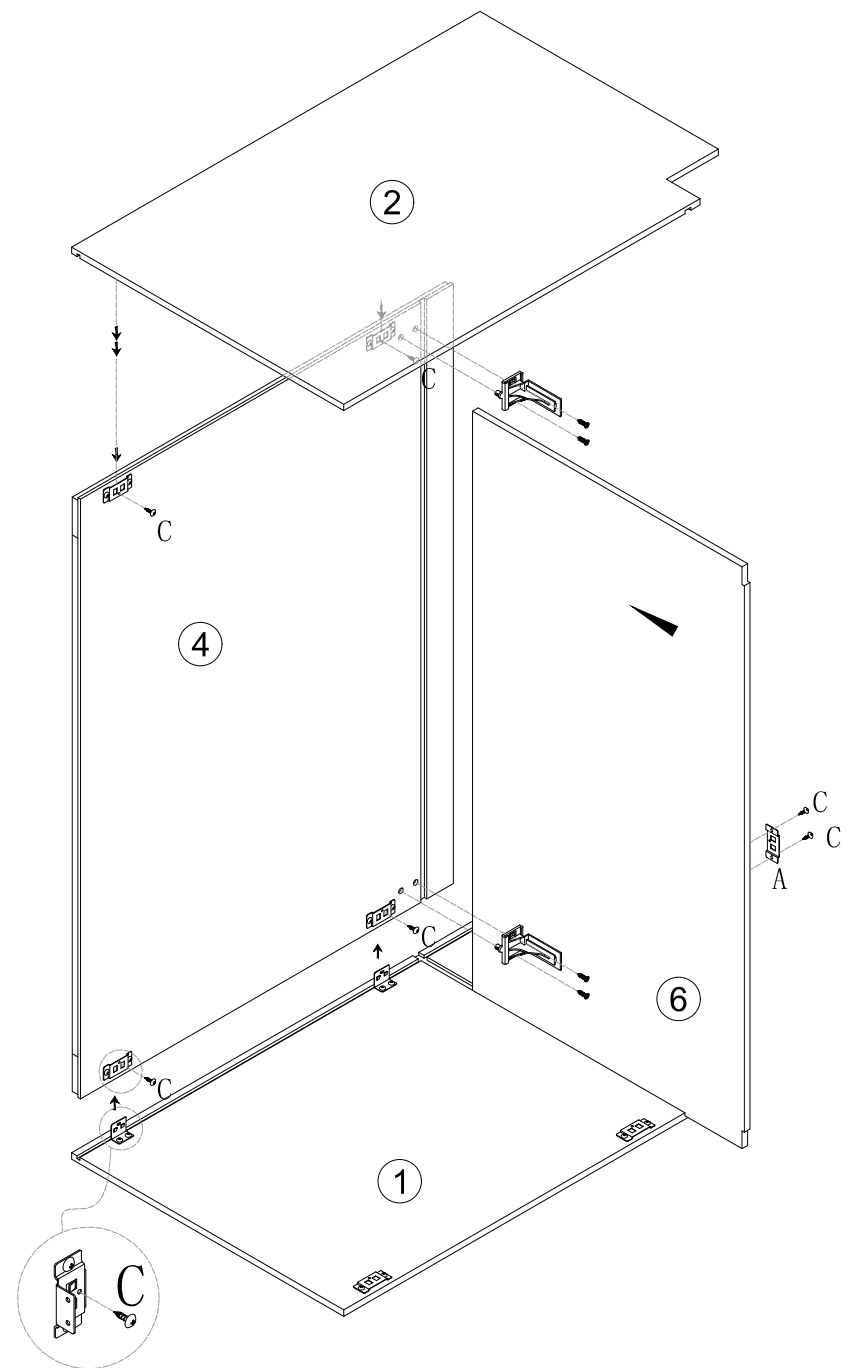
### Step 1



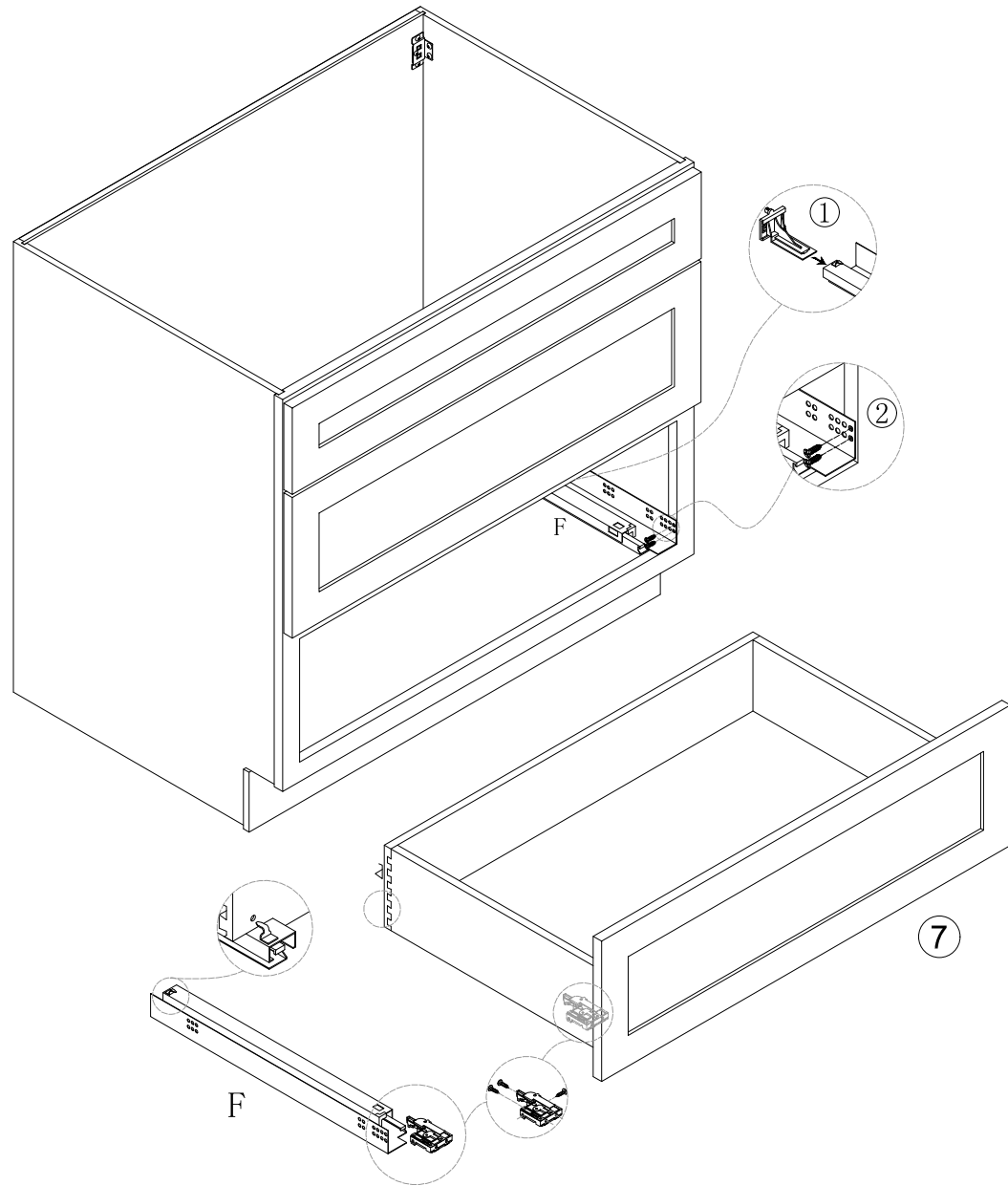
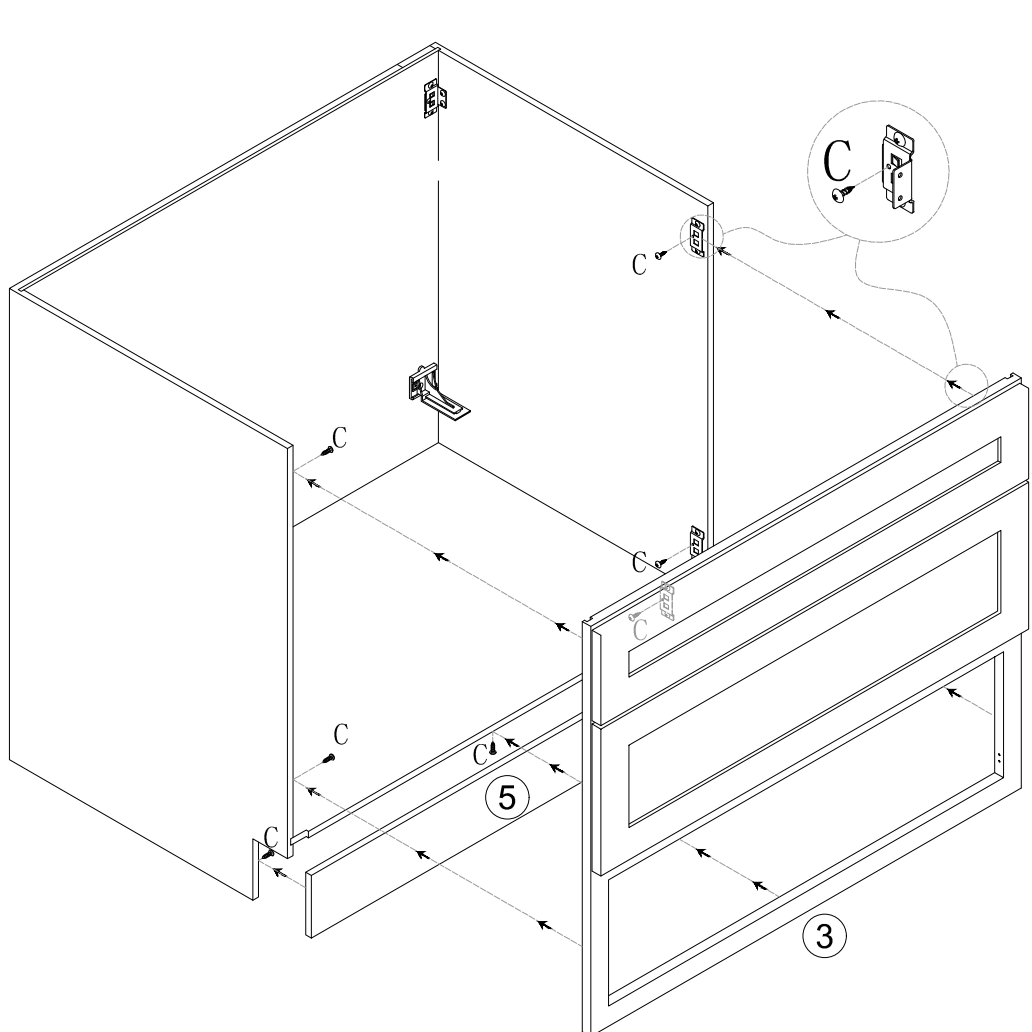
### Step 2



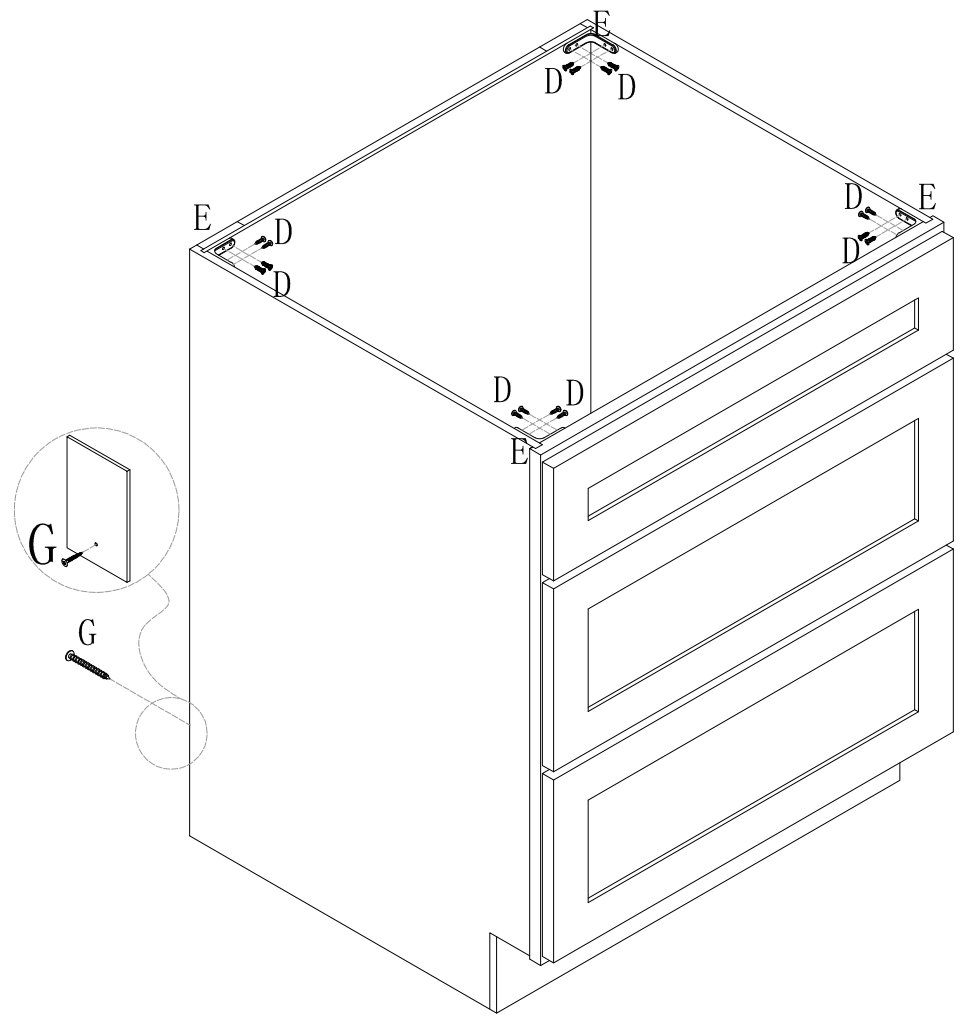
### Step 3



Step 4



Step 5



Finished

